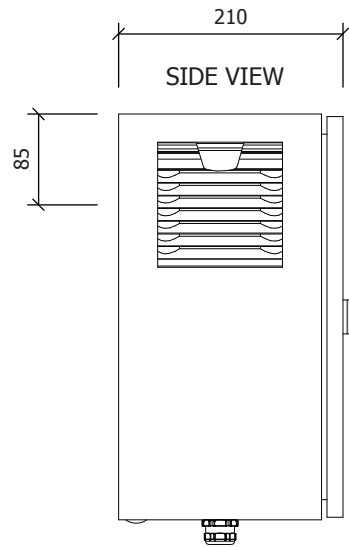
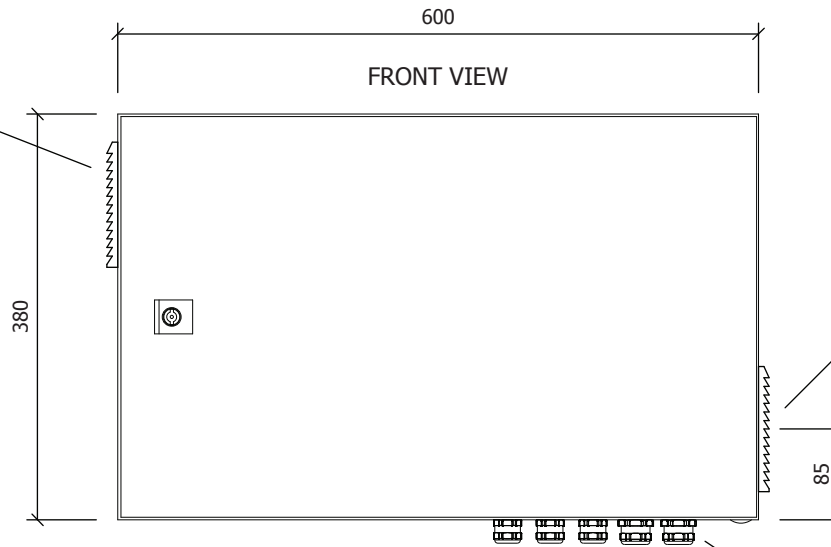


MOUNTING BRACKETS ARE SEPARATE SUPPLY



NOTE:
FREE SPACE TO AIR GRID
MUST BE AT LEAST 50mm



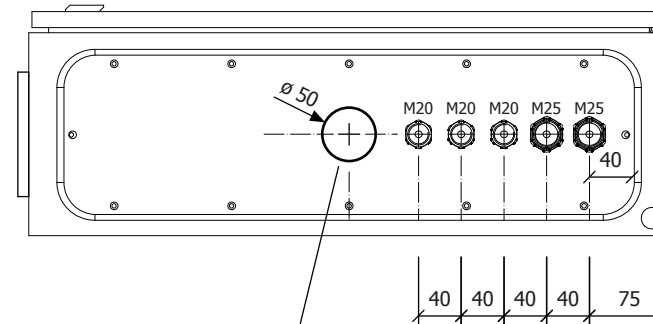
NOTE:
FREE SPACE TO AIR GRID
MUST BE AT LEAST 50mm

*5) *4) *3) *2) *1)

Hummel Brass Glands:
2x HSK-M M25x1,5 Ø9..16 mm PN: 1.609.2500.51
3x HSK-M M20x1,5 Ø6..12 mm PN: 1.609.2000.50

- *1) 120Vac Power Supply Cable
- *2) Spare
- *3) EtherNET Cable To HMI
- *4) ProfiBUS Cable To Top Drive VFD
- *5) ProfiBUS Cable To PLC

BOTTOM VIEW



GAP FOR MONITOR-
AND KEYBOARD CABLES

BOX: RITTAL AE1039.500
WxHxD = 600x380x210mm
RAL 7035

	Project	Description		Order no. EP	Drawing no.		Drawing no. EP	
	ElectroProject Soft Torque (EPST)	ARRANGEMENT BOX		9903945			P10257R5	
	Principal	Number principal		date 20.12.2010	Dm. P.V.	Status	Last modification	
				Size A3	Chd. M.J.	REVISION R5	/ 01.06.2015	
				Syst.		Group	Place	Sheet
			Appl.				/ 9	