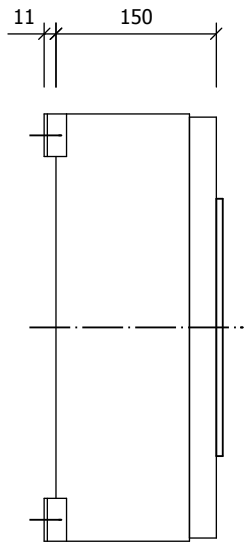
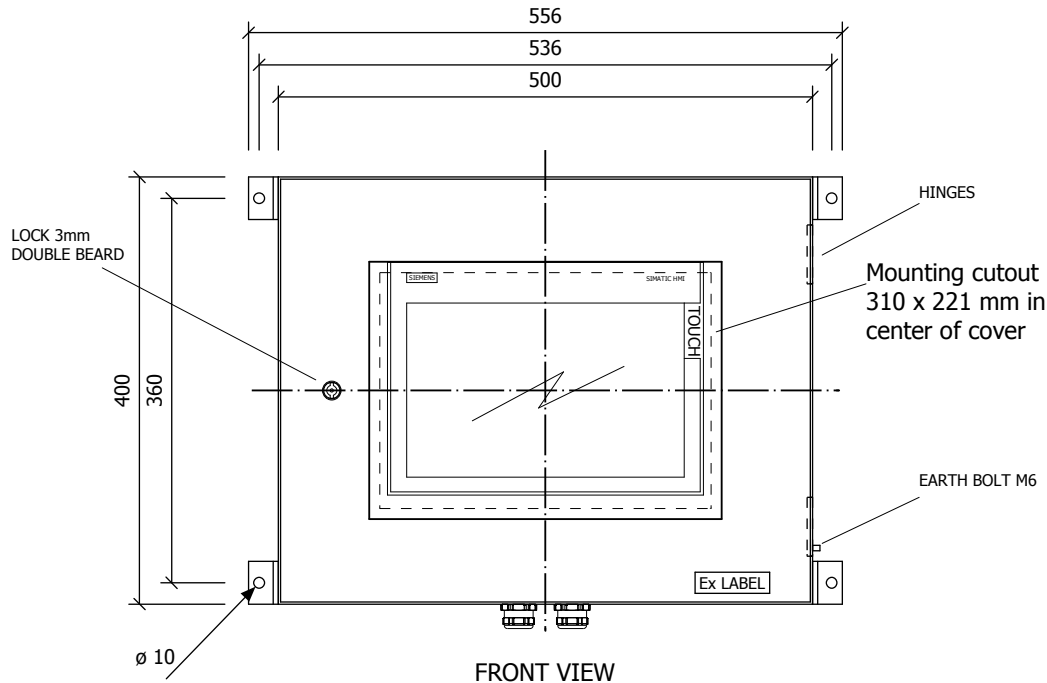


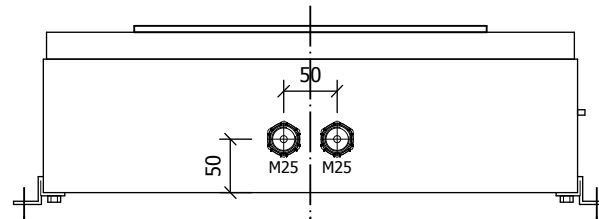
MOUNTING BRACKETS ARE SEPARATE SUPPLY



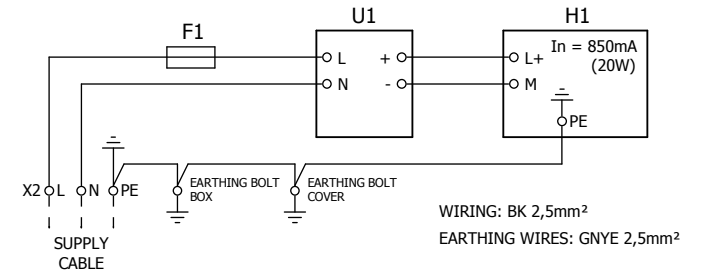
SIDE VIEW



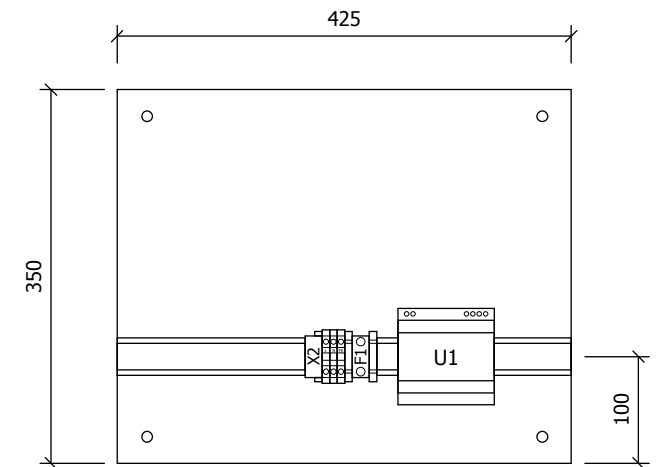
FRONT VIEW



BOTTOM VIEW



WIRING: BK 2,5mm²
EARTHING WIRES: GNYE 2,5mm²



MOUNTING PLATE

-	1	Box	SS316L	CBE404015	Electromach / Stahl
H1	1	SIMATIC Touch Panel	TP1200 COMFORT INOX	6AV2144-8MC10-0AA0	Siemens
U1	1	DC Power Supply	100..240Vac // 24Vdc - 4A	6EP1332-1SH52	Siemens
X2	2	Terminal	UT2,5	30.44.07.6	Phoenix Contact
X2	1	Earth Terminal	UT2,5 PE	30.44.09.2	Phoenix Contact
F1	1	Fuse	T2A 250Vac 5x20mm	8560/51-4222	Stahl
-	2	Cable Gland	ø7..17mm	8161/5-M25-17	Stahl
Code	QTY	Description	Type	Manufacturer	

LIST OF MATERIALS



Project
ElectroProject Soft Torque (EPST)
Siemens TP1200 in Ex Zone 2 Certified Box - 100..240Vac

Description
ARRANGEMENT BOX

Function code:
HMI-Ex2/100-240Vac

Order no. EP 9903945	Drawing no.	Drawing no. EP P10244R3	
date 15.11.2010	Drn. P.V.	Status REVISION R3	Last modification / 01.06.2015
Size A3	Chd. A.C.	Group	Place
Syst.	Appl.	Sheet 1	